

6

5

4

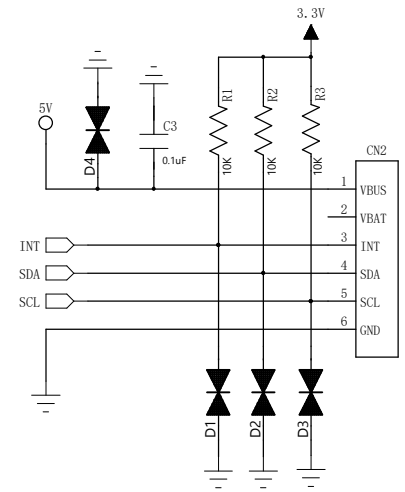
3

2

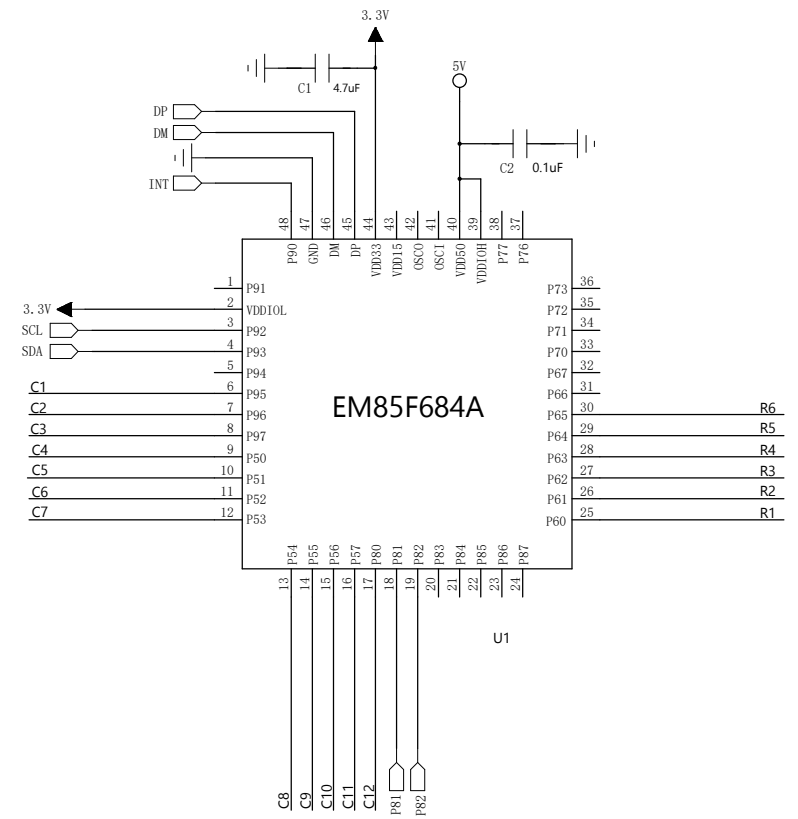
1

REVISION RECORD			
LTR	ECO NO:	APPROVED:	DATE:

### I2C插座 (连接手机)



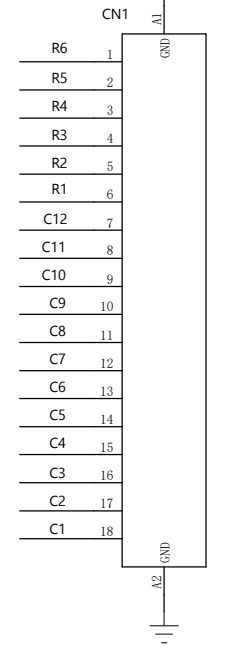
### 主芯片



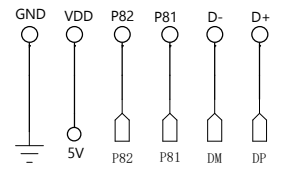
### 键芯测试点

- R6
- R5
- R4
- R3
- R2
- R1
- C12
- C11
- C10
- C9
- C8
- C7
- C6
- C5
- C4
- C3
- C2
- C1

### 键芯插座



### 主芯片烧录点



COMPANY:			
TITLE: <b>KB151手机键盘原理图</b>			
CODE:	SIZE: <b>B</b>	DRAWING NO:	REV: <b>V1</b>
SCALE:			SHEET: 1 OF 1

DRAWN: <b>HePing</b>	DATED: <b>2021-3-3</b>
CHECKED:	DATED:
QUALITY CONTROL:	DATED:
RELEASED:	DATED:

D

D

C

C

B

B

A

A